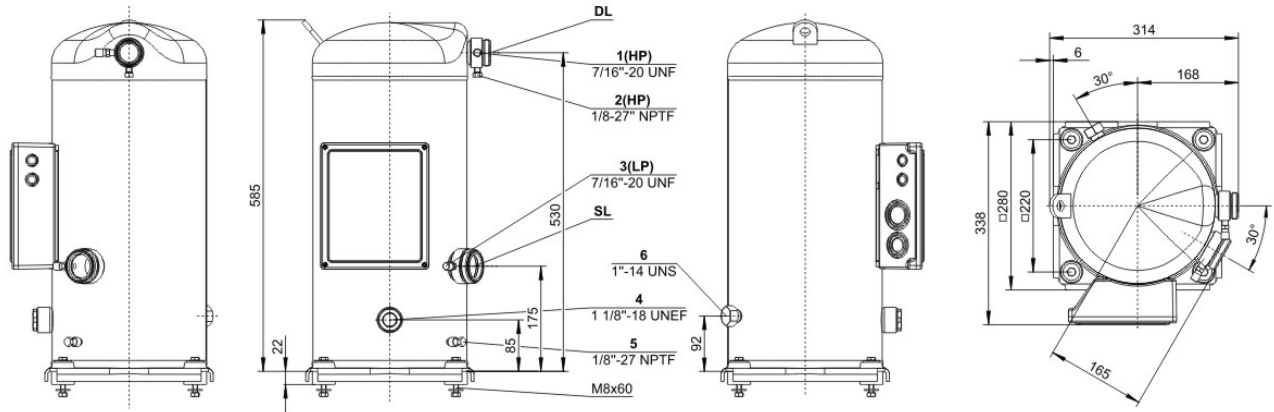




Technical Data: ESH730Y

Dimensions and Connections



Technical Data

Technical Data

Displacement (2900 RPM 50 Hz)	30 m ³ /h
Displacement (3500 RPM 60 Hz)	36,2 m ³ /h
Weight	85 kg
Max. pressure (LP/HP)	19 / 28 bar
Connection suction line	
Direct brazing connection	1 3/8 (Standard "B" version)
Rotalock adapter	1 1/8 (Option)
Rotalock shut-of valve	1 1/8 (Option)
Connection discharge line	
Direct brazing connection	7/8 (Standard "B" version)
Rotalock adapter	1 1/8 (Option)
Rotalock shut-of valve	1 1/8 (Option)
Oil type R22	B5.2 (Option)
Oil type R134a/R407C/R404A/R507A/R407A/R407F	BSE35K (Standard)

Motor data

Motor voltage (more on request)	380-420V Y-3-50Hz
Max operating current	20.5 A
Starting current (Rotor locked)	106.0 A
Max. Power input	11,8 kW

Extent of delivery (Standard)

Oil charge	4,0 dm ³
Motor protection	SE-B3
Enclosure class	IP54
Vibration dampers	Standard

Available Options

Oil heater	65 W
Discharge gas temperature sensor	Option
Motor protection	SE-E1

Sound measurement

Sound power level (+5°C / 50°C)	71,3 dB(A) @ 50Hz
Sound power level (-10°C / 45°C)	73,8 dB(A) @ 50Hz
Sound pressure level @ 1m (+5°C / 50°C)	63,3 dB(A) @ 50Hz
Sound pressure level @ 1m (-10°C / 45°C)	65,8 dB(A) @ 50Hz



Scroll-Compressor

Legend of connection positions according to "Dimensions":

- 1 High pressure measurement connection (HP) - Schrader
 - 2 High pressure connection (HP) alternatively: connection for discharge gas temperature sensor
 - 3 Low pressure connection (LP)
 - 4 Sight glass
 - 5 Oil maintenance connection
 - 6 Connection for oil and gas equalization (parallel operation)
 - 7 Mounting position for vibration dampers
 - 8 Mounting position for Tandem and Trio fixing rails
 - 10 Economiser connection (7/16 - 20 UNF, 1/4 (3/8 outer diameter)) - ORBIT FIT only
- SL Suction line
DL Discharge line
Dimensions can show tolerances according to EN ISO 13920-B.

Note:

Please consult BITZER for external VSD application guidelines