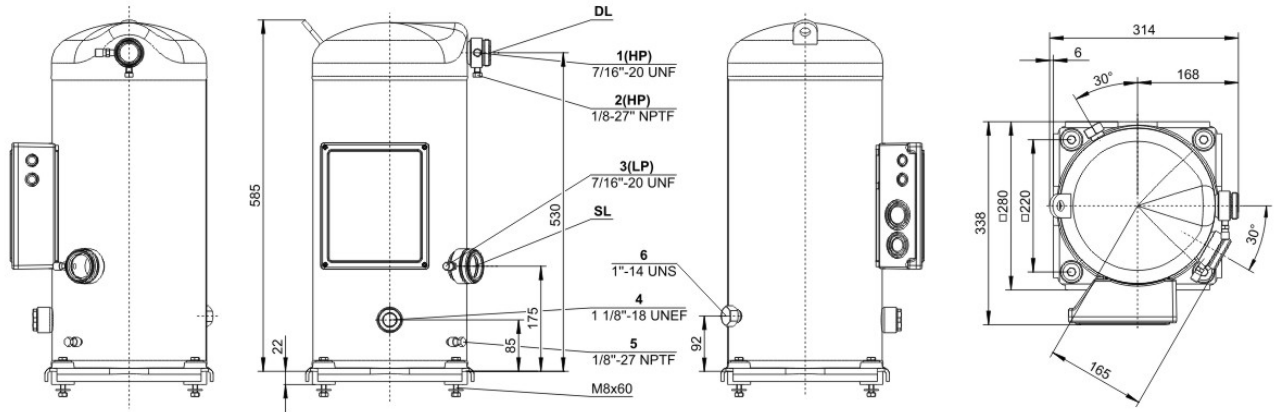




## Technical Data: ESH730Y

### Dimensions and Connections



### Technical Data

#### Technical Data

Displacement (2900 RPM 50 Hz)	30 m <sup>3</sup> /h
Displacement (3500 RPM 60 Hz)	36,2 m <sup>3</sup> /h
Weight	85 kg
Max. pressure (LP/HP)	19 / 28 bar
Connection suction line	
Direct brazing connection	1 3/8 (Standard "B" version)
Rotalock adapter	1 1/8 (Option)
Rotalock shut-of valve	1 1/8 (Option)
Connection discharge line	
Direct brazing connection	7/8 (Standard "B" version)
Rotalock adapter	1 1/8 (Option)
Rotalock shut-of valve	1 1/8 (Option)
Oil type R22	B5.2 (Option)
Oil type R134a/R407C/R404A/R507A/R407A/R407F	BSE35K (Standard)

#### Motor data

Motor voltage (more on request)	380-420V Y-3-50Hz
Max operating current	20.5 A
Starting current (Rotor locked)	106.0 A
Max. Power input	11,8 kW

#### Extent of delivery (Standard)

Oil charge	4,0 dm <sup>3</sup>
Motor protection	SE-B3
Enclosure class	IP54
Vibration dampers	Standard

#### Available Options

Oil heater	65 W
Discharge gas temperature sensor	Option
Motor protection	SE-E1

#### Sound measurement

Sound power level (+5°C / 50°C)	71,3 dB(A) @ 50Hz
Sound power level (-10°C / 45°C)	73,8 dB(A) @ 50Hz
Sound pressure level @ 1m (+5°C / 50°C)	63,3 dB(A) @ 50Hz
Sound pressure level @ 1m (-10°C / 45°C)	65,8 dB(A) @ 50Hz



## Scroll-Compressor

### Legend of connection positions according to "Dimensions":

- 1 High pressure measurement connection (HP) - Schrader
  - 2 High pressure connection (HP) alternatively: connection for discharge gas temperature sensor
  - 3 Low pressure connection (LP)
  - 4 Sight glass
  - 5 Oil maintenance connection
  - 6 Connection for oil and gas equalization (parallel operation)
  - 7 Mounting position for vibration dampers
  - 8 Mounting position for Tandem and Trio fixing rails
  - 10 Economiser connection (7/16 - 20 UNF, 1/4 (3/8 outer diameter)) - ORBIT FIT only
- SL Suction line  
DL Discharge line  
Dimensions can show tolerances according to EN ISO 13920-B.

### Note:

Please consult BITZER for external VSD application guidelines