



APPROVALS



ENGINEERING CODE
913AA62

APPROVED REFRIGERANT
R-404A

POWER SUPPLY
220-240 V 50 Hz

STANDARD CONDITIONS
EN12900

APPLICATION
LBP

COOLING CAPACITY
220 W (LBP)

EFFICIENCY
1.09 W/W (LBP)

MOTOR TYPE
CSIR

STARTING TORQUE
HST

DATA

General Data

Type	Hermetic reciprocating
Technology Type	On-Off
Displacement	6.76 cm ³
Compressor Cooling	Fan/NotControlled/220
Expansion Device	Capillary Tube or Expansion Valve
Horse Power	1/2 hp
Power Supply	220-240 V 50 Hz
Evaporating Temperature Range	-40 °C to -10 °C

Electrical Data

Motor type	CSIR
Starting Torque	HST
Start Winding Resistance	17 Ω at 25° C
Run Winding Resistance	10 Ω at 25° C

Mechanical Data

Oil Charge	180 ml
Oil Type Configuration	ESTER
Oil Type Viscosity	ISO22
Weight	8 Kg

Electrical Components

	Description
Start Capacitor	72-88 Uf / 330 V
Motor Protection	T0971/G6
Starting Device	Relay MTRPH-0025-59*

External Characteristics

Tray Holder	No	
Connector	Internal Diameter	Shape
Suction	6.1 mm	Slanted 42°/Copper
Discharge	4.94 mm	Straight/Copper
Process	6 mm	Slanted 42°/Copper(OD)

PERFORMANCE

Rated Points

Condensing Temperature	Evaporating Temperature	Cooling Capacity	Power Consumption	Gas Flow Rate	Efficiency
40.00°C	-35.00°C	220 W	202 W	5.90 kg/h	1.09 W/W

Test Condition: EN12900LBP, Fan/NotControlled/220, Return Gas 20°C, Evaporation -35.00°C, Condensing 40.00°C, Ambient 35°C, Liquid 40°C, Subcooling 0K. Data are an indication of performance based simulation.

Performance Curve Data

Condensing Temperature 35°C

Evaporating Temperature °C	Cooling Capacity W	Power W	Gas Flow Rate kg/h	Efficiency W/W
-40	182	180	4.61	1.01
-35	236	203	6.03	1.16
-30	302	227	7.76	1.33
-25	381	253	9.82	1.51
-20	473	280	12.26	1.69
-15	578	308	15.10	1.88
-10	698	337	18.39	2.07

Test Condition: EN12900LBP, Fan/NotControlled/220, Return Gas 20°C, Ambient 35°C, Subcooling OK. Data are an indication of performance based simulation.

Condensing Temperature 45°C

Evaporating Temperature °C	Cooling Capacity W	Power W	Gas Flow Rate kg/h	Efficiency W/W
-40	145	182	4.19	0.8
-35	192	208	5.55	0.92
-30	248	237	7.22	1.05
-25	315	268	9.22	1.18
-20	394	301	11.60	1.31
-15	484	337	14.39	1.44
-10	587	375	17.62	1.57

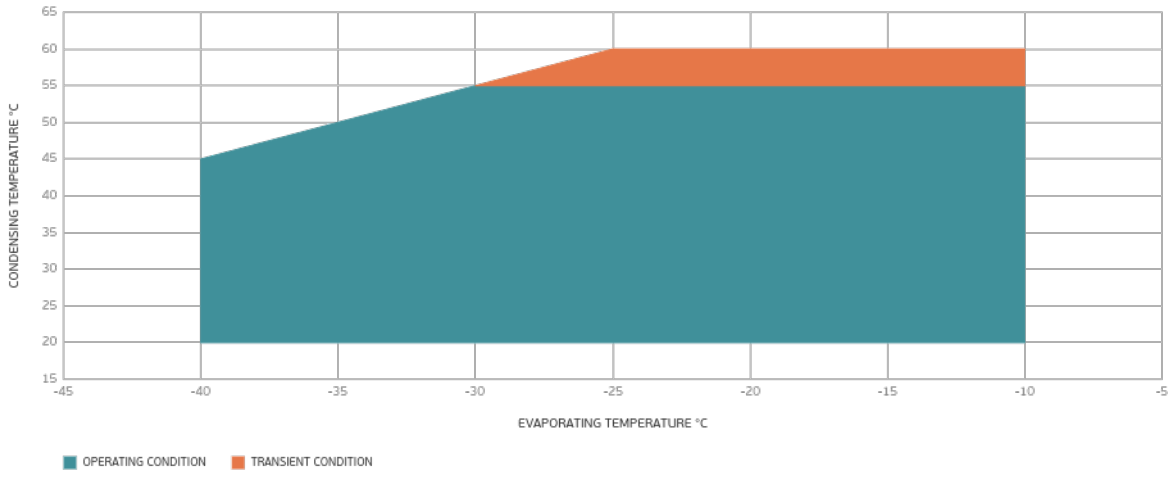
Test Condition: EN12900LBP, Fan/NotControlled/220, Return Gas 20°C, Ambient 35°C, Subcooling OK. Data are an indication of performance based simulation.

Condensing Temperature 55°C

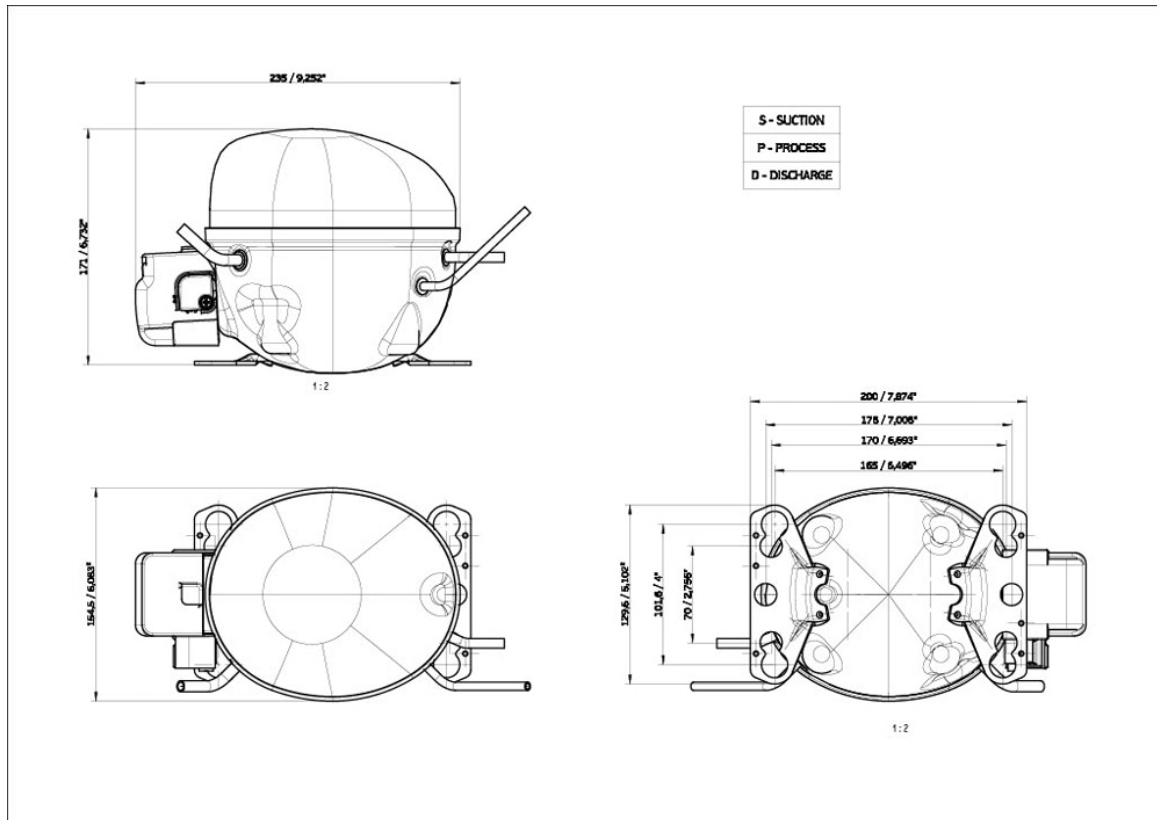
Evaporating Temperature °C	Cooling Capacity W	Power W	Gas Flow Rate kg/h	Efficiency W/W
-40	110	186	3.71	0.59
-35	147	213	5.00	0.69
-30	193	245	6.59	0.79
-25	248	280	8.52	0.89
-20	312	319	10.83	0.98
-15	386	361	13.54	1.07
-10	472	406	16.70	1.16

Test Condition: EN12900LBP, Fan/NotControlled/220, Return Gas 20°C, Ambient 35°C, Subcooling OK. Data are an indication of performance based simulation.

Operating Envelope



External Dimensions



Wiring Diagram

SM28-4

