



MODEL


EMT6165GK
embraco
Nidec
**APPROVALS**
 **ENGINEERING CODE**
 912GA67


 **APPROVED REFRIGERANT**
 R-404A

 **POWER SUPPLY**
 220-240 V 50 Hz

 **STANDARD CONDITIONS**
 EN12900

 **APPLICATION**
 MBP

 **COOLING CAPACITY**
 465 W (MBP)

 **EFFICIENCY**
 1.7 W/W (MBP)

 **MOTOR TYPE**
 CSIR

 **STARTING TORQUE**
 HST
DATA**General Data**

Type	Hermetic reciprocating
Technology Type	On-Off
Displacement	5.19 cm ³
Compressor Cooling	Fan/NotControlled/220
Expansion Device	Capillary Tube or Expansion Valve
Horse Power	1/3 hp
Power Supply	220-240 V 50 Hz
Evaporating Temperature Range	-20 °C to 10 °C

Electrical Data

Motor type	CSIR
Starting Torque	HST

Mechanical Data

Oil Charge	180 ml
Oil Type Configuration	ESTER
Oil Type Viscosity	ISO22
Weight	7.8 Kg

Electrical Components

	Description
Motor Protection	T0571/G6
Start Capacitor	53-64 Uf / 330 V
Starting Device	Relay MTRP-38*

External Characteristics

Tray Holder	Yes	
Connector	Internal Diameter	Shape
Suction	6.1 mm	Slanted 42°/Copper
Discharge	4.86 mm	Straight/Copper
Process	6.1 mm	Slanted 42°/Copper

PERFORMANCE

Rated Points

Condensing Temperature	Evaporating Temperature	Cooling Capacity	Power Consumption	Gas Flow Rate	Efficiency
45.00°C	-10.00°C	465 W	274 W	13.97 kg/h	1.7 W/W

Test Condition: EN12900MBP, Fan/NotControlled/220, Return Gas 20°C, Evaporation -10.00°C, Condensing 45.00°C, Ambient 35°C, Liquid 45°C, Subcooling OK. Data are an indication of performance based simulation.

Performance Curve Data

Condensing Temperature 35°C

Evaporating Temperature °C	Cooling Capacity W	Power W	Gas Flow Rate kg/h	Efficiency W/W
-20	372	218	9.63	1.71
-15	460	235	12.03	1.96
-10	562	252	14.82	2.23
-5	679	269	18.08	2.52
0	813	286	21.92	2.84
5	965	303	26.43	3.18
10	1137	321	31.70	3.54

Test Condition: EN12900MBP, Fan/NotControlled/220, Return Gas 20°C, Ambient 35°C, Subcooling OK. Data are an indication of performance based simulation.

Condensing Temperature 45°C

Evaporating Temperature °C	Cooling Capacity W	Power W	Gas Flow Rate kg/h	Efficiency W/W
-20	302	229	8.90	1.32
-15	378	251	11.24	1.5
-10	465	274	13.97	1.7
-5	565	296	17.17	1.91
0	680	319	20.95	2.13
5	809	342	25.39	2.36
10	956	366	30.60	2.61

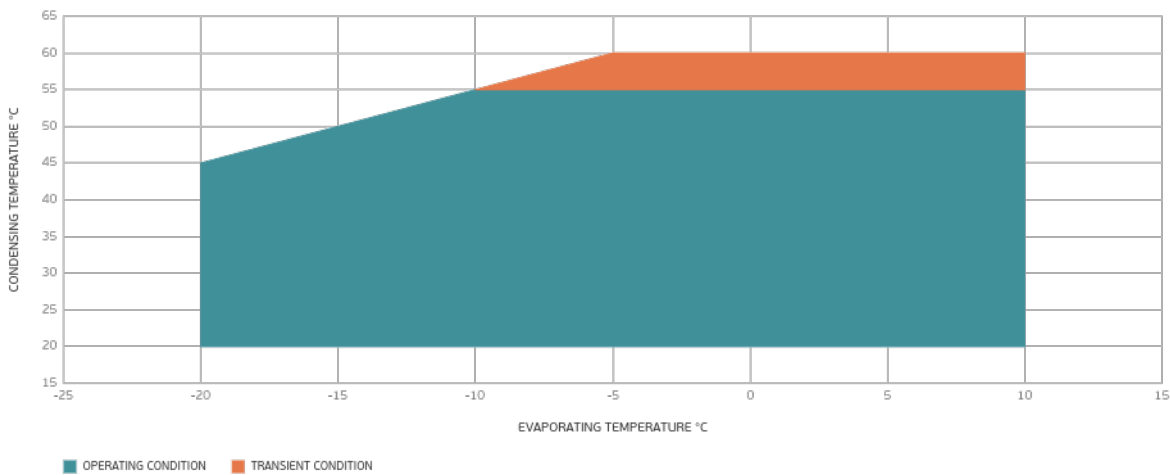
Test Condition: EN12900MBP, Fan/NotControlled/220, Return Gas 20°C, Ambient 35°C, Subcooling OK. Data are an indication of performance based simulation.

Condensing Temperature 55°C

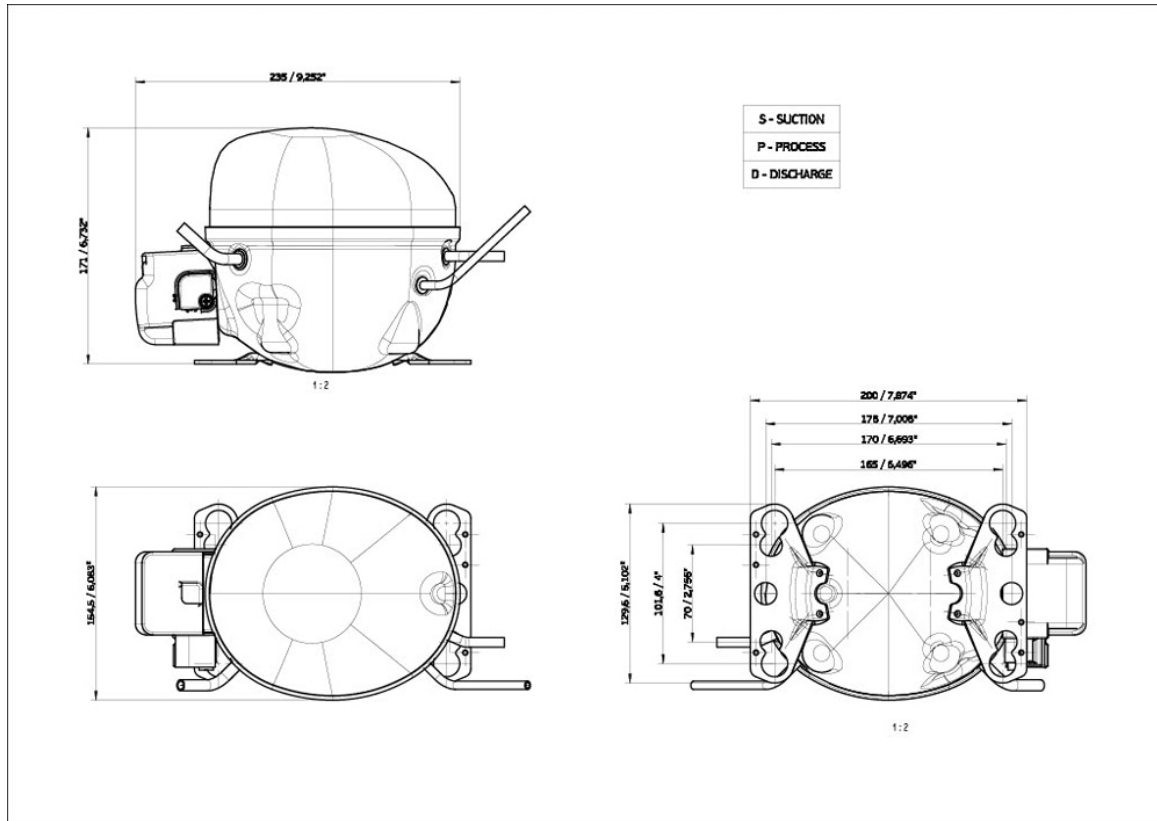
Evaporating Temperature °C	Cooling Capacity W	Power W	Gas Flow Rate kg/h	Efficiency W/W
-20	233	245	8.09	0.95
-15	296	271	10.35	1.09
-10	367	297	12.99	1.24
-5	448	323	16.12	1.39
0	541	349	19.81	1.55
5	647	377	24.18	1.72
10	767	405	29.31	1.89

Test Condition: EN12900MBP, Fan/NotControlled/220, Return Gas 20°C, Ambient 35°C, Subcooling OK. Data are an indication of performance based simulation.

Operating Envelope



External Dimensions



Wiring Diagram

SM28-4

