



**APPROVALS**



**ENGINEERING CODE**  
171BA77

**APPROVED REFRIGERANT**  
R-134a

**POWER SUPPLY**  
220-240 V 50 Hz

**STANDARD CONDITIONS**  
EN12900

**APPLICATION**  
L/MBP

**COOLING CAPACITY**  
66 W (LBP)

**EFFICIENCY**  
1.14 W/W (LBP)

**MOTOR TYPE**  
RSIR

**STARTING TORQUE**  
LST

**DATA**

**General Data**

Type	Hermetic reciprocating
Technology Type	On-Off
Displacement	4.53 cm <sup>3</sup>
Compressor Cooling	Static/NotControlled/220
Expansion Device	Capillary Tube
Horse Power	1/8 hp
Max Condensing Pressure Operating	13.92 bar
Max Condensing Pressure Peak	15.62 bar
Power Supply	220-240 V 50 Hz
Evaporating Temperature Range	-35 °C to 5 °C

**Electrical Data**

Motor type	RSIR
Starting Torque	LST
Start Winding Resistance	16.55 Ω at 25° C
Run Winding Resistance	25 Ω at 25° C

## Mechanical Data

Maximum Recommended Refrigerant Charge	250 g
Oil Charge	150 ml
Oil Type Configuration	ESTER
Oil Type Viscosity	ISO10
Pressurization	Light vacuum
Weight	7.7 Kg
Free Internal Volume	1.5 L

## Electrical Components

	Description
Starting Device	PTC   V230
Motor Protection	AE64FS

## External Characteristics

Base Plate	European	
Tray Holder	Yes	
Height	171 mm	
Connector	Internal Diameter	Shape
Suction	6.1 mm	Slanted 42°/Copper
Discharge	4.94 mm	Straight/Copper
Process	6.1 mm	Slanted 46°/Copper

## PERFORMANCE

## Rated Points

Condensing Temperature	Evaporating Temperature	Cooling Capacity	Power Consumption	Gas Flow Rate	Efficiency
40.00°C	-35.00°C	66 W	58 W	1.41 kg/h	1.14 W/W

Test Condition: EN12900LBP, Static/NotControlled/220, Return Gas 20°C, Evaporation -35.00°C, Condensing 40.00°C, Ambient 35°C, Liquid 40°C, Subcooling OK. Data are an indication of performance based simulation.

## Performance Curve Data

### Condensing Temperature 35°C

Evaporating Temperature °C	Cooling Capacity W	Power W	Gas Flow Rate kg/h	Efficiency W/W
-35	69	61	1.44	1.12
-30	94	71	1.98	1.33
-25	128	81	2.70	1.59
-20	170	91	3.59	1.88
-15	221	100	4.67	2.2
-10	279	110	5.94	2.55
-5	346	119	7.41	2.91
0	422	129	9.08	3.28
5	507	138	10.98	3.67

Test Condition: EN12900LBP, Static/NotControlled/220, Return Gas 20°C, Ambient 35°C, Subcooling OK. Data are an indication of performance based simulation.

### Condensing Temperature 45°C

Evaporating Temperature °C	Cooling Capacity W	Power W	Gas Flow Rate kg/h	Efficiency W/W
-35	57	62	1.32	0.93
-30	80	74	1.84	1.09
-25	109	86	2.52	1.28
-20	146	98	3.38	1.48
-15	190	112	4.42	1.7
-10	242	126	5.65	1.92
-5	302	141	7.08	2.14
0	369	156	8.72	2.36
5	444	173	10.57	2.58

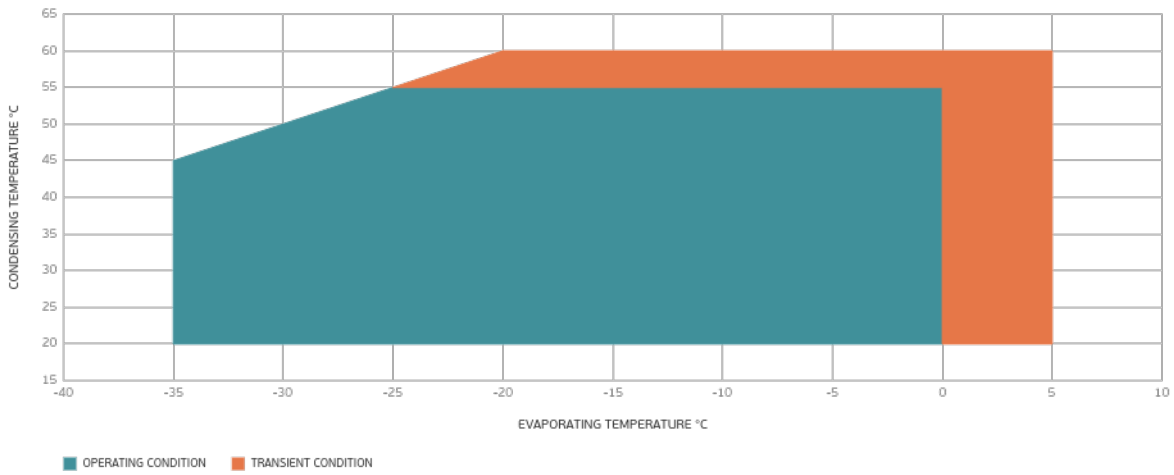
Test Condition: EN12900LBP, Static/NotControlled/220, Return Gas 20°C, Ambient 35°C, Subcooling OK. Data are an indication of performance based simulation.

## Condensing Temperature 55°C

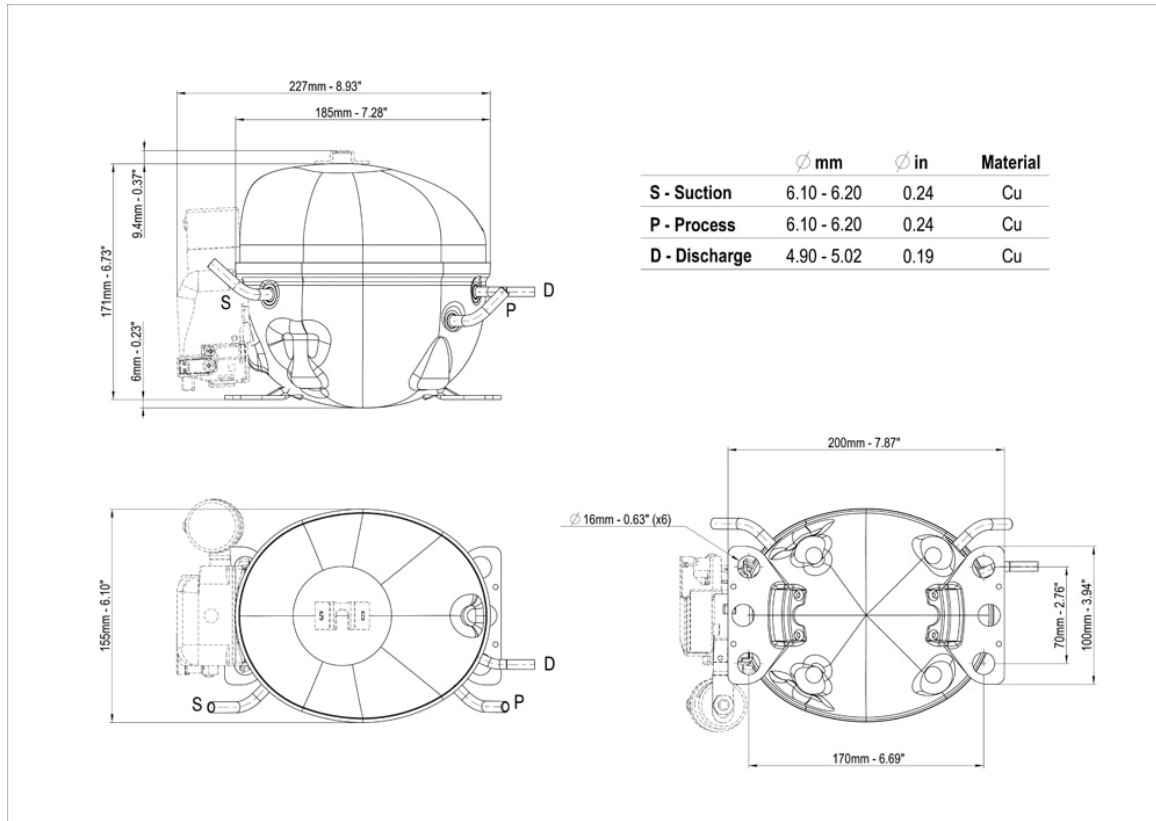
Evaporating Temperature °C	Cooling Capacity W	Power W	Gas Flow Rate kg/h	Efficiency W/W
-25	90	87	2.30	1.03
-20	121	103	3.11	1.18
-15	159	119	4.11	1.34
-10	204	137	5.30	1.49
-5	256	156	6.69	1.64
0	315	177	8.28	1.78
5	380	199	10.08	1.91

Test Condition: EN12900LBP, Static/NotControlled/220, Return Gas 20°C, Ambient 35°C, Subcooling OK. Data are an indication of performance based simulation.

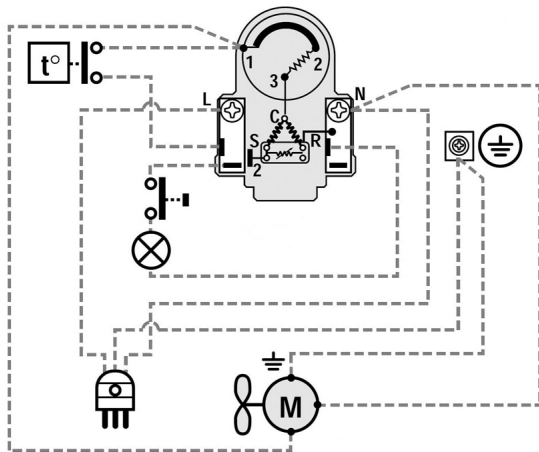
## Operating Envelope



## External Dimensions



## Wiring Diagram



## Assembly Instructions

