

Refrigeration solutions

Controllers for commercial refrigeration, food service and catering



PRIME WING



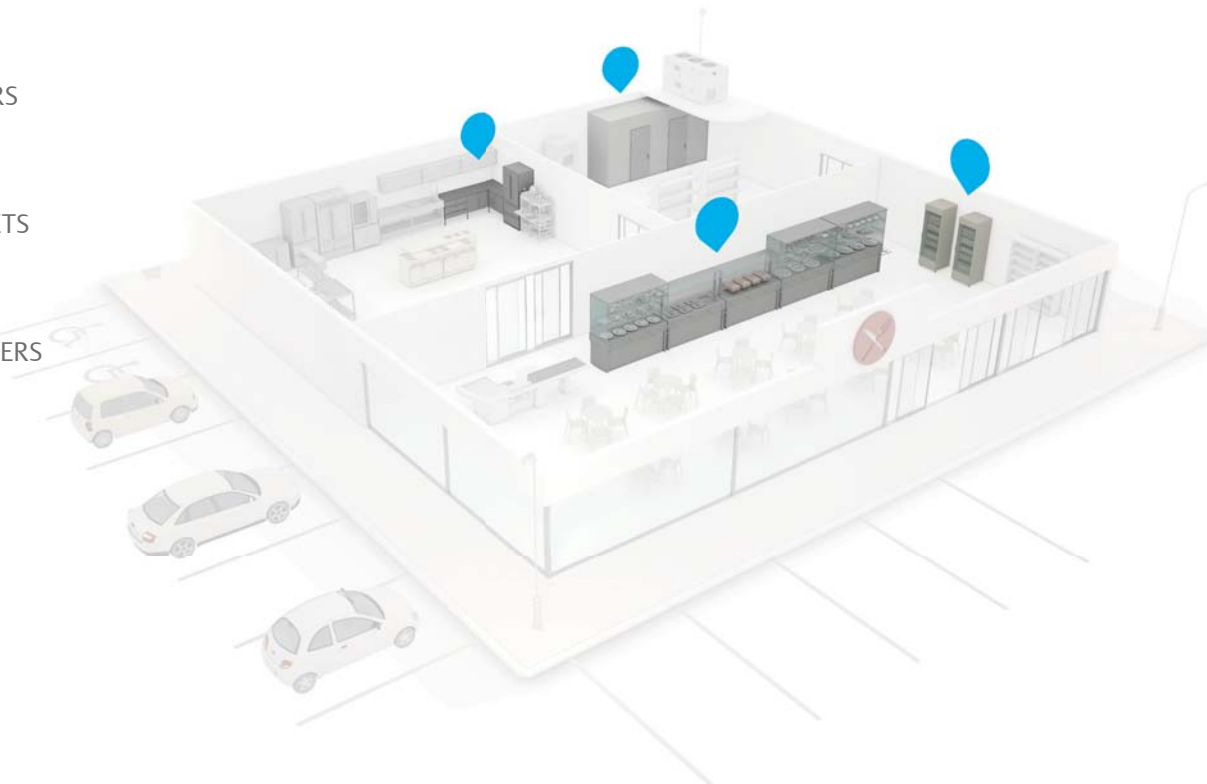
Refrigeration solutions

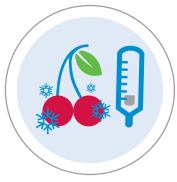
PRIME & WING Series are the innovative & aesthetical solution controllers designed for commercial refrigeration, food service, and catering applications that guarantee high usability and quality food storage. When the aesthetic appeal becomes fundamental, these controllers are particularly appreciated for their sleek design and elegant style.



A wide range of solutions for:

- ICE CREAM FREEZERS
- PASTRY REFRIGERATORS
- COLD ROOMS
- WARMING CABINETS
- REFRIGERATED CABINETS
- WINE CELLARS
- SHOWCASES
- REFRIGERATED COUNTERS





Food quality

The accurate temperature regulation, the display of events and the alarm management assure the best quality of fresh and frozen food.



Protection & hygiene guaranteed

The flat surface is easy to clean for much better hygiene. The IP65 high level of front protection is guaranteed.



Environmentally friendly

We firmly believe in the respect and safeguard of the environment and respond to the requests of environmental-friendly gas usage, such as Propane. Controllers mount relays suitable for ATEX applications as they have been tested following EN60079-15.



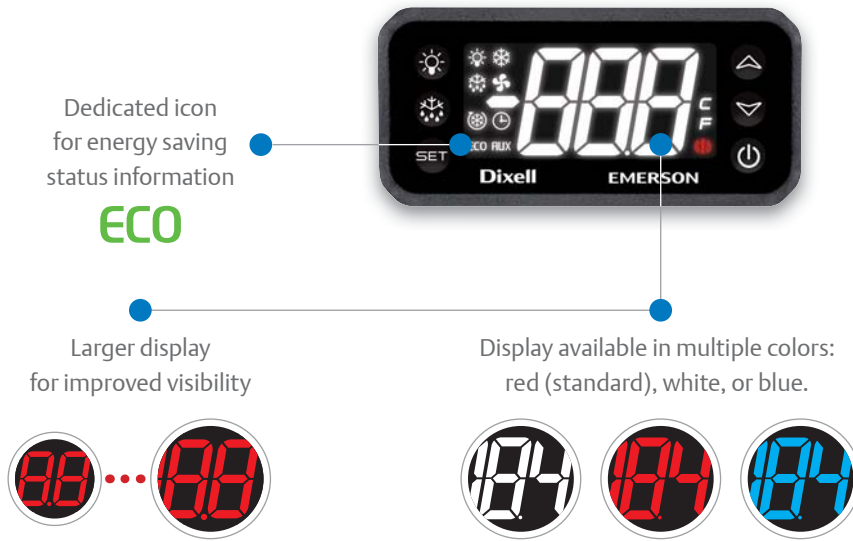
Integrated functions for energy saving

The controllers have integrated functions for energy savings, such as the optimization of fan management.



Better visibility and aesthetical solutions

A look that stands out for its elegance and sophisticated detail, a variety of color displays give the controllers an unmatched aesthetic appeal. Controllers have a wider display with integrated icons for the display of data in real time and provide measurement units for clear and continuous monitoring.



User friendly interface

Direct access to main functions

Easy and intuitive installation

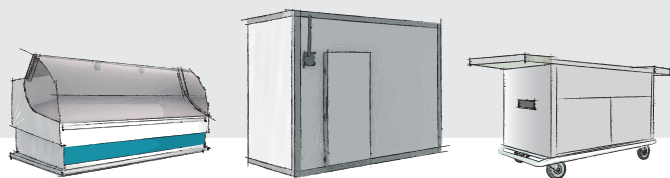
Specific functions for pastry cases (dual humidity)

Regulation based on the average of two temperatures

Hot key or Prog Tool Kit connector for quick and easy programming

Serial connection to monitoring systems

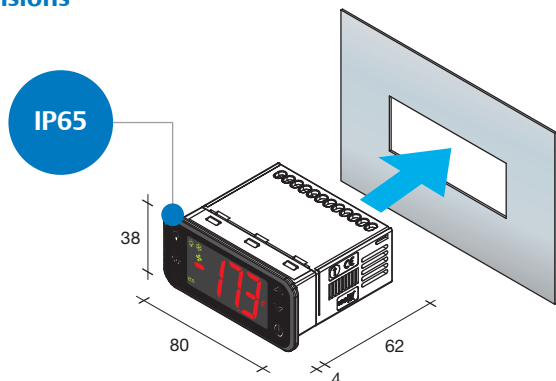
PRIME CH



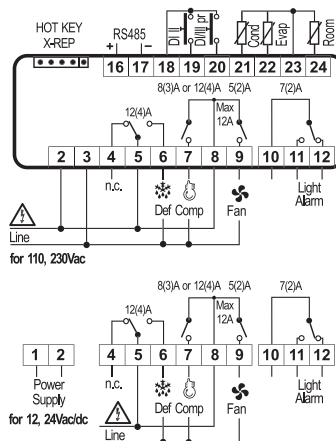
Refrigeration controllers in CH format

	STATIC APPLICATIONS			VENTILATED APPLICATIONS					
FEATURES	XR20CH	XR30CH	XR35CH	XR60CH		XR70CH		XR75CH	XR77CH
Keyboard: push buttons	6	6	6	6	6	6	6	6	6
Power supply	12, 24Vac/dc 110, 230Vac	12, 24Vac/dc 110, 230Vac	110, 230Vac	12, 24Vac/dc 110, 230Vac	110, 230Vac	110, 230Vac	12Vac/dc	110, 230Vac	12, 24Vac/dc 110, 230Vac
Probe inputs									
Thermostat	NTC, PTC	NTC, PTC	NTC, Pt1000	NTC, PTC	NTC, PTC	NTC, PTC	NTC, PTC	NTC, Pt1000	NTC, Pt1000
Defrost			NTC, Pt1000	NTC, PTC	NTC, PTC	NTC, PTC	NTC, PTC	NTC, Pt1000	NTC, Pt1000
Condenser	NTC, PTC on HOT KEY	NTC, PTC on HOT KEY	NTC, Pt1000	NTC, PTC on HOT KEY	NTC, PTC on HOT KEY	NTC, PTC on HOT KEY	NTC, PTC on HOT KEY	NTC, Pt1000	NTC, Pt1000
Digital inputs									
Alarm, start defrost, door switch, pressure switch, energy saving, ON/OFF, probe	config	config	2 x config	config	config	config	config	2 x config	2 x config
Relay outputs									
Compressor	8A, 20A	8A, 20A	8A, 16A	8A, 16A	20A	8A, 16A	16A	8A, 16A	8A, 12A
Defrost				8A	8A	8A	16A	8A	12A
Fans				8A	5A	5A	16A	5A	5A
Light, alarms		8A	8A			8A	16A	8A	7A
Other									
Hot Key/Prog Tool Kit output	pres	pres	pres	pres	pres	pres	pres	pres	pres
Remote display output	opt	opt	pres	opt	opt	opt	opt	pres	pres
Serial output	TTL	TTL	RS485	TTL	TTL	TTL	TTL	RS485	RS485
Buzzer	opt	opt	opt	opt	opt	opt	opt	opt	opt
Real time clock		opt	opt			opt	opt	opt	opt

Dimensions



XR77CH



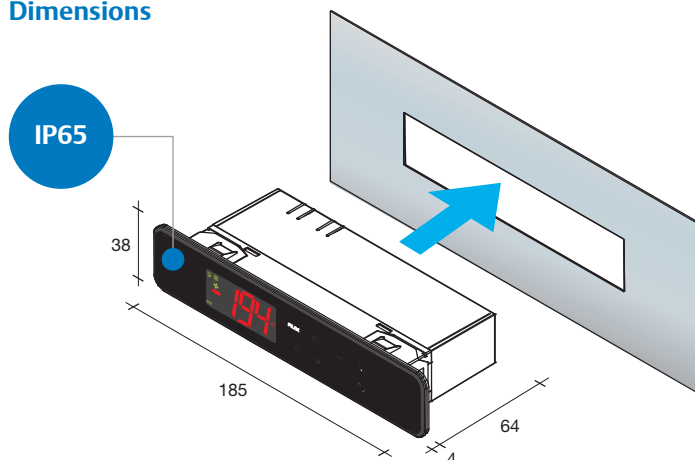
WING LH



Refrigeration controllers in LH format

	STATIC APPLICATIONS		VENTILATED APPLICATIONS			
FEATURES	XW20LH	XW20LRH	XW60LH	XW60LRH	XW70LH	XW90LH
Keyboard: push buttons	6	6	6	6	8	8
Power supply	110, 230Vac	110, 230Vac	110, 230Vac	110, 230Vac	110, 230Vac	110, 230Vac
Probe inputs						
Thermostat	NTC, PTC	NTC, PTC	NTC, PTC	NTC, PTC	NTC, PTC	NTC, PTC
Defrost	NTC, PTC	NTC, PTC	NTC, PTC	NTC, PTC	NTC, PTC	NTC, PTC
Condenser	NTC, PTC	NTC, PTC	NTC, PTC	NTC, PTC	NTC, PTC	NTC, PTC
Display	NTC, PTC		NTC, PTC		NTC, PTC	NTC, PTC
Digital inputs						
Alarm, start defrost, door switch, pressure switch, energy saving, ON/OFF	2 x config	2 x config	2 x config	2 x config	2 x config	2 x config
Relay outputs						
Compressor	20A	20A	20A	20A	20A	20A
Defrost			8A	8A	16A	16A
Fans			8A	5A	8A	8A
Light	8A, 16A	8A	8A, 16A	5A	8A, 16A	8A, 16A
Alarm, AUX					8A	8A
RL 6 configurable						8A
Other						
Hot Key/Prog Tool Kit output	pres	pres	pres	pres	pres	pres
Remote display output	opt	opt	opt		opt	opt
Serial output	TTL	TTL	TTL	TTL	TTL	TTL
Buzzer	opt	opt	opt	opt	opt	opt
Real time clock	opt	opt	opt	opt	opt	opt

Dimensions



High versatility

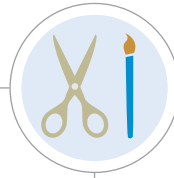


LH keyboard

Also the WING K Series (split version) is available in the LH version by using the T620H or T820H keyboards.

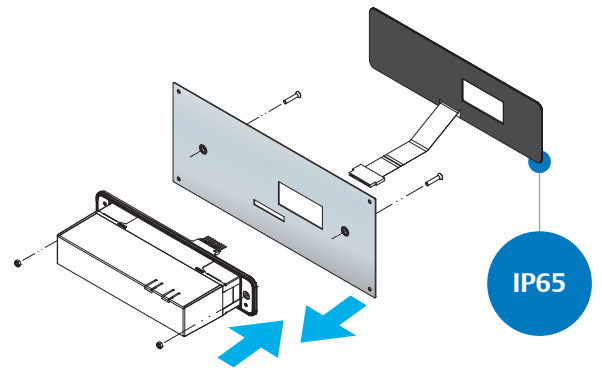
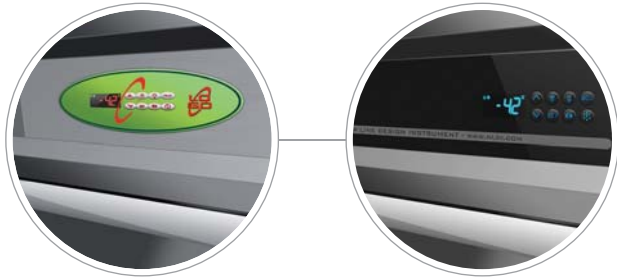


Back panel solution with membrane keyboard



Brand visibility & high customization level

Thanks to its superior versatility, the WING LH is available in a back-panel version that allows the user to have an extensive level of customization ability. Shape, colors and dimensions can be customized depending on the brand or application.



Accessories



CXLS & HLS

White, red, green or yellow light switch (CXLS) 16A/250Vac with black frame adapter (HLS).



HOT KEY

Easy programmable device; it allows instruments to be programmed in a fast and simple way.



XJ485CX

The serial interface converts the TTL output into an RS485 signal that can be used to connect the controller to the XWEB systems.

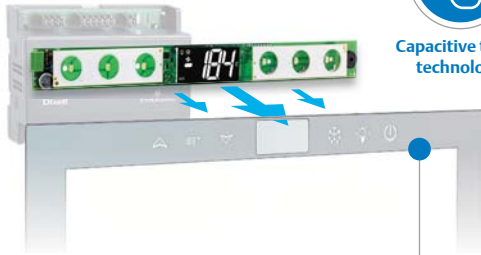
Special keyboards

Dixell extends its range of customizable solutions for commercial refrigerated applications with 2 innovative keyboards that work in combination with WING controllers in K format (XW20K, XW40K, XW60K, XW70K).

T620GT



Capacitive touch technology



Keyboard with touch keys integrated into the unit features a visually aesthetic design.

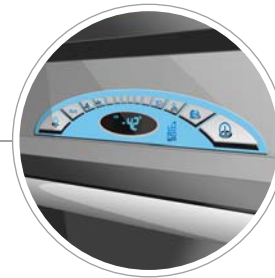
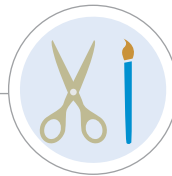
The keyboard allows different solutions of back-panel mounting, such as the back-glass or back-plexiglass mounting. In this way the surface results completely flat and guarantees an easy cleaning and a high level of hygiene and front protection.



D60



Dixell's new membrane solution maximizes the possibility of configuration by users. Interface modification is available depending on the cabinet model in terms of keys, color, shape and dimensions. The remote display is available with or without mechanical buttons; the version containing buttons is used with polycarbonate frontal and has up to 6 buttons.



D60LM
Membrane version



D60VM
Membrane version



D60VB
Mechanical keys version



MDP/CX

Plastic anti-condensing protection cover for terminal block of CH controllers.



XH-REP

Remote display for temperature reading available in red, white or blue color. IP65, 31x64mm.



WIZMATE PROG-TOOL KIT

Programming tool for a quick and easy parameter update.

EmersonClimate.com

Emerson Commercial & Residential Solutions

Dixell S.r.l. - Z.I. Via dell'Industria, 27 - 32010 Alpago (BL) ITALY - Tel. +39.0437.9833 r.a. - Fax +39.0437.989313
EmersonClimate.com - Dixell@Emerson.com

release 2.0 - 1582006200-GB

All trademarks are property of their respective owners. Dixell reserves the right to alter its products without notice. All rights reserved. Because environmental conditions are outside of Dixell's control, we cannot assume liability for results obtained nor any damages that may occur due to improper application. Manuals and updates are available on our Web Site EmersonClimate.com

EMERSON. CONSIDER IT SOLVED.™