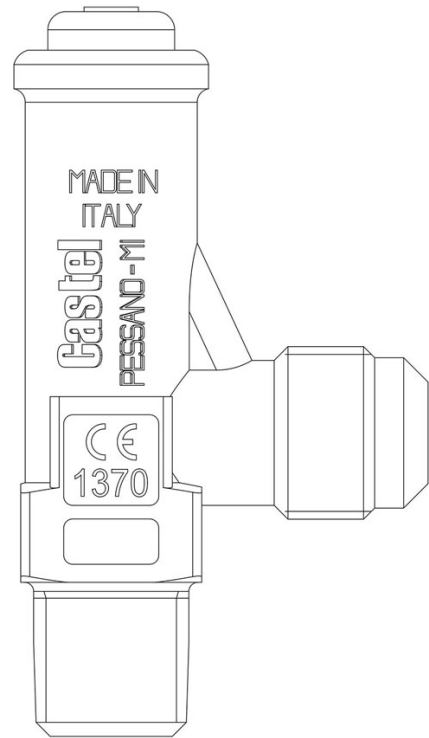


Product Code

3060/46C



Product use

Safety valve series 3030, 3060, 3061 and 3065, unbalanced conventional direct load. The valve opens when the thrust exerted on the plunger by the refrigerant under pressure, under calibrated conditions, overcomes the opposing force of the spring acting on the plunger.

Safety accessories (with calibration range from 9 to 50 bar for series 3030 and 3060 and calibration range from 11 to 60 bar for series 3061 and 3065) for use with the following ASHRAE 34:2019 refrigerants, Class A1:

HCFC (R22)

HFC (R134a, R404A, R407C, R410A, R507)

HFO (R1234ze)

HFO + HFC (R448A, R449A, R450A, R452A, R513A, R515A, R515B)

Product details

Connections IN 1/2" NPT

Connections OUT 3/4" G

Orifice section [mm²] 78,5

Discharge coefficient Kd 0,93

Set pressure range [bar] 9 - 50

PS[bar] 55

TS[°C] min -50

TS[°C] max	+120
------------	------

Package pcs	#N/D
-------------	------

Notes

(1) Product on request.