

Product Code

**3132W/M10**

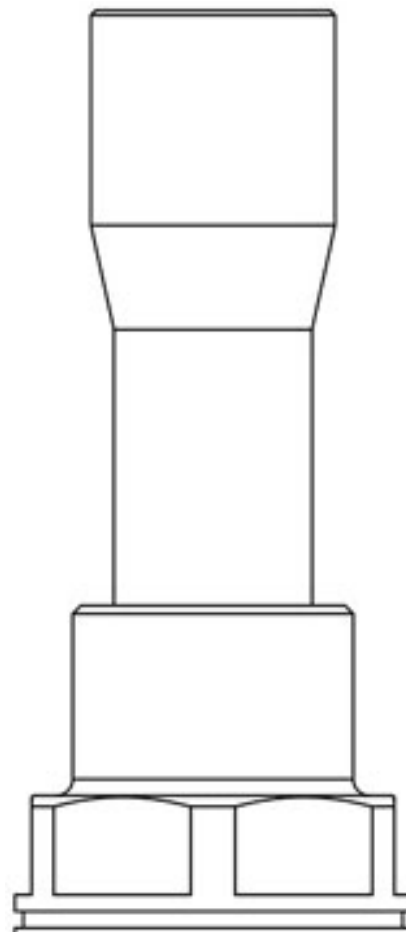
Check Valve  
10 mm ODS

POLYHEDRA

CLASSIC

### Product use

Accessories for use with the following ASHRAE 34:2019 refrigerants, Class A1, A2L, or A3:  
 HFC (R134A, R32, R404A, R407C, R410A, R507)  
 HFO (R1234YF, R1234ZE)  
 HFO + HFC (R448A, R449A, R450A, R452A, R452B, R454A, R454B, R454C, R455A, R513A, R515A, R515B)  
 HC (R290, R600, R600A, R1270)



### Product details

Connections SAE Flare	-
Connections ODS Ø [in.]	-
ODS Ø [mm]	10
Kv [m³/h]	1,5
Differential pressure (2) [bar]	0,04
PS [bar]	50
MWP [psi] (1)	600
TS [°C] min.	-40
TS [°C] max.	+150
Package pcs	25



## Notes

(1): according to UL approval

(2): minimum pressure at which the valve is completely open